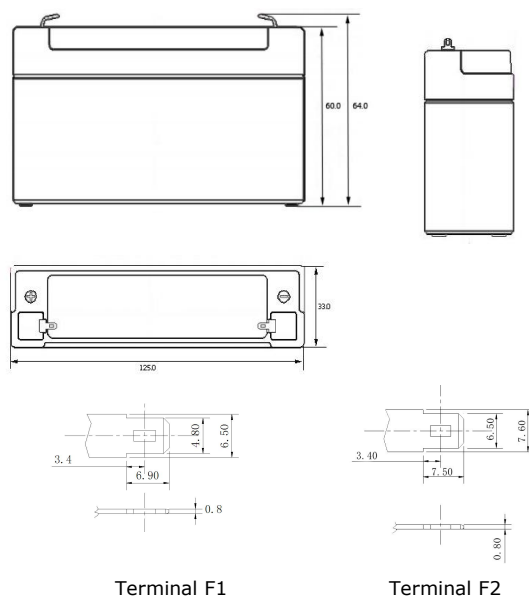


Specifications

Nominal Voltage	6V	
Nominal Capacity(20hr)	3.2AH	
Dimension	Length	125±2mm(4.92inch)
	Width	33±2mm(1.30inch)
	Height	60±2mm(2.36inch)
	Total Height	64±2mm(2.52inch)
Approx Weight	Approx. 0.63kg(+5%)	
Terminal Type	F1/F2	
container Material	ABS(UL-94HB)	
Internal Resistance	Approx.30mΩ	
Rated Capacity	3.30AH	(20hr, 1.70V/cell,25°C/77°F)
	3.10AH	(10hr, 1.75V/cell,25°C/77°F)
	2.79AH	(5hr, 1.75V/cell,25°C/77°F)
	2.50AH	(3hr, 1.70V/cell,25°C/77°F)
	1.90AH	(1hr, 1.60V/cell,25°C/77°F)
Max. Discharge Current	60A(5S)	
Nominal Operating Temp. Range	25±3°C (77±5°F)	
Cycle Use	Charge Current Less Than 0.25CA	
	7.05V~7.35V@25°C(77°F)Temp. Coefficient -30mV/°C	
Floating Use	6.75V~6.90V@25°C(77°F)Temp. Coefficient -20mV/°C	
Capacity affected by Temperature	40°C	103%
	25°C	100%
	0°C	86%
	-15°C	65%
Self-discharge	3 month	Remaining capacity: 91%
	6 month	Remaining capacity:82%
	12month	Remaining capacity:65%



Dimensions



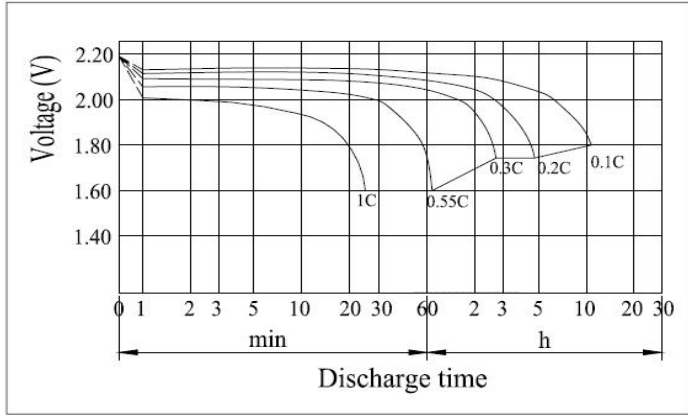
Constant Power Discharge at 25°C(77°F)

F.V/Time	5min	10min	15min	30min	1h	2h	3h	4h	5h	6h	10h	20h
1.80V/Cell	20.8	14.4	10.0	6.2	3.64	2.13	1.62	1.28	1.06	0.92	0.60	0.32
1.75V/Cell	21.2	14.6	10.1	6.3	3.71	2.17	1.65	1.31	1.08	0.93	0.61	0.32
1.70V/Cell	21.9	15.1	10.7	6.5	3.77	2.21	1.68	1.33	1.10	0.95	0.62	0.33
1.67V/Cell	22.5	15.5	11.7	6.9	3.81	2.23	1.69	1.34	1.11	0.96	0.63	0.33
1.60V/Cell	23.1	16.0	12.3	7.2	3.85	2.25	1.71	1.36	1.13	0.97	0.63	0.33

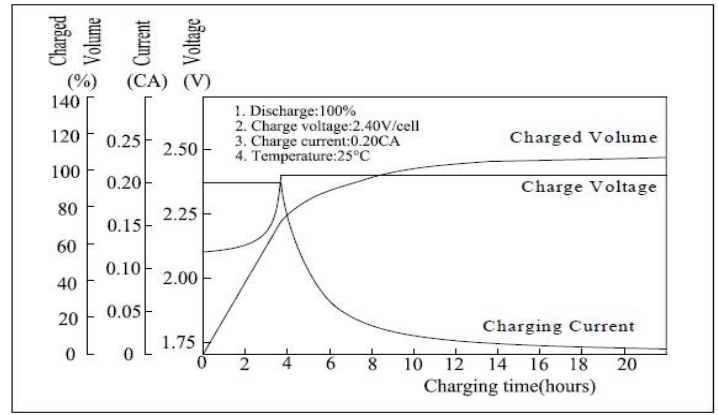
Constant Current Discharge at 25°C(77°F)

F.V/Time	5min	10min	15min	30min	1h	2h	3h	4h	5h	6h	10h	20h
1.80V/Cell	10.7	7.4	5.10	3.16	1.87	1.09	0.83	0.66	0.55	0.47	0.31	0.16
1.75V/Cell	10.9	7.5	5.20	3.22	1.90	1.11	0.85	0.67	0.56	0.48	0.31	0.17
1.70V/Cell	11.2	7.7	5.51	3.35	1.93	1.13	0.86	0.68	0.57	0.49	0.32	0.17
1.67V/Cell	11.5	8.0	6.0	3.54	1.96	1.14	0.87	0.69	0.57	0.49	0.32	0.17
1.60V/Cell	11.9	8.2	6.3	3.69	1.98	1.15	0.88	0.70	0.58	0.50	0.32	0.17

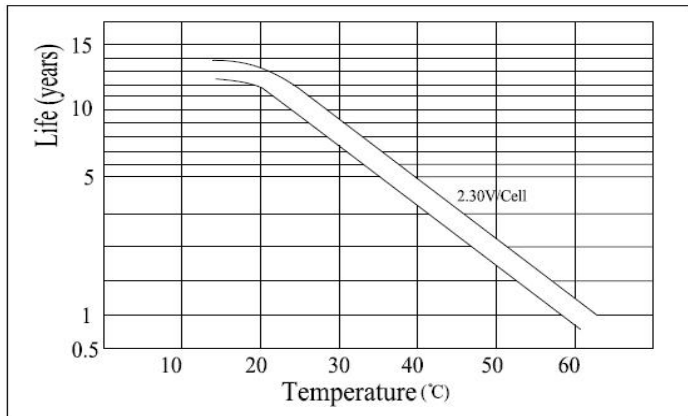
Discharge Characteristics



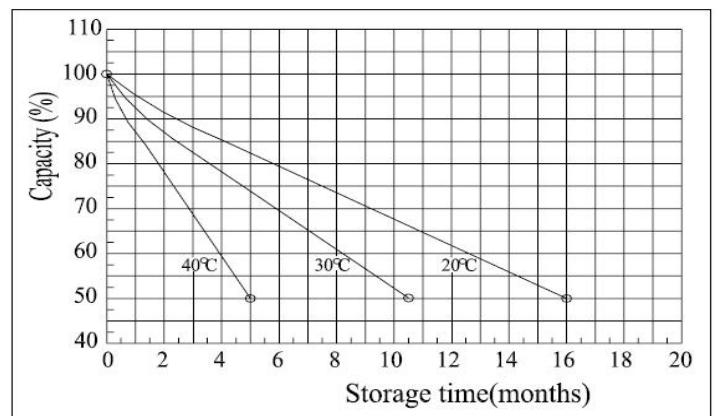
Float Charging Characteristics



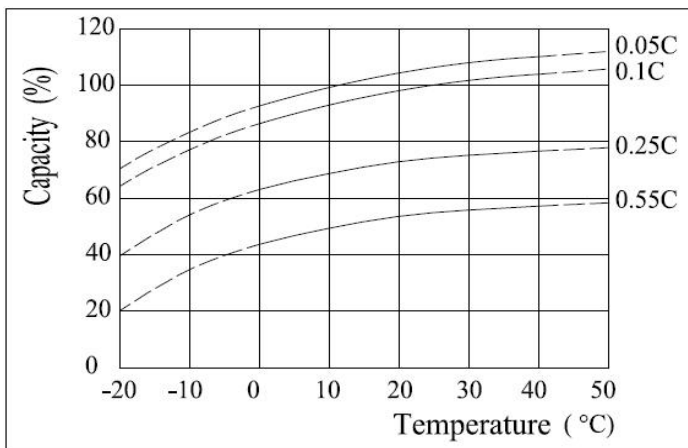
Floating Life on Temperature



Self Discharge Characteristics (25°C(77°F))



Temperature Effects in Relation to Battery Capacity



Cycle Life Relation to Depth of Discharge

