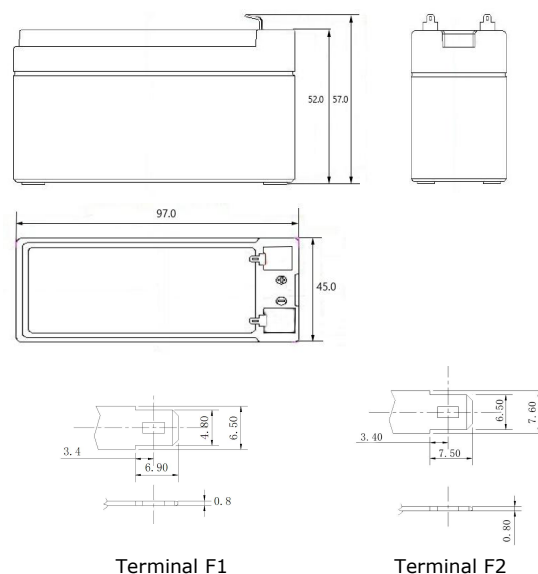


**Specifications**

Nominal Voltage	12V	
Nominal Capacity(20hr)	1.3AH	
Dimension	Length	97±2mm(3.82inch)
	Width	45±2mm(1.77inch)
	Height	52±2mm(2.05inch)
	Total Height	57±2mm(2.24inch)
Approx Weight	Approx. 0.55kg(+/-5%)	
Terminal Type	F1/F2	
container Material	ABS(UL-94HB)	
Internal Resistance	Approx.100mΩ	
Rated Capacity	1.3Ah	(20hr, 1.75V/cell,25°C/77°F)
	1.2Ah	(10hr, 1.75V/cell,25°C/77°F)
	1.0Ah	(5hr, 1.75V/cell,25°C/77°F)
	0.93Ah	(3hr, 1.75V/cell,25°C/77°F)
	0.80Ah	(1hr, 1.75V/cell,25°C/77°F)
Max. Discharge Current	60A(5S)	
Nominal Operating Temp. Range	25±3°C (77±5°F)	
Cycle Use	Charge Current Less Than 0.25CA	
	14.1V~14.7V@25°C(77°F)Temp. Coefficient -30mV/°C	
Floating Use	13.5V~13.8V@25°C(77°F)Temp. Coefficient -20mV/°C	
Capacity affected by Temperature	40°C	103%
	25°C	100%
	0°C	86%
	-15°C	65%
Self-discharge	3 month	Remaining capacity: 91%
	6 month	Remaining capacity: 82%
	12month	Remaining capacity: 65%

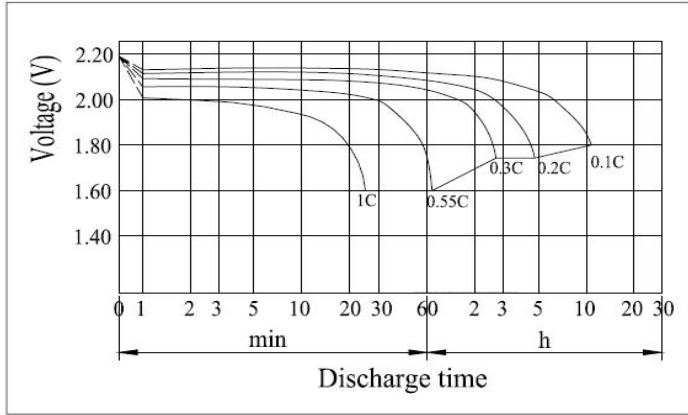

**Dimensions**

**Constant Power Discharge at 25°C(77°F)**

F.V/Time	5min	10min	15min	30min	1h	2h	3h	4h	5h	6h	10h	20h
1.80V/cell	7.23	5.30	4.28	2.67	1.63	1.04	0.65	0.53	0.46	0.39	0.24	0.12
1.75V/cell	8.10	5.67	4.53	2.73	1.65	1.06	0.66	0.54	0.46	0.40	0.24	0.13
1.70V/cell	8.96	5.91	4.77	2.79	1.68	1.07	0.66	0.54	0.47	0.41	0.25	0.14
1.67V/cell	9.14	6.09	4.89	2.81	1.69	1.08	0.66	0.54	0.47	0.41	0.25	0.14
1.60V/cell	9.75	6.34	5.15	2.86	1.69	1.08	0.67	0.55	0.47	0.41	0.25	0.14

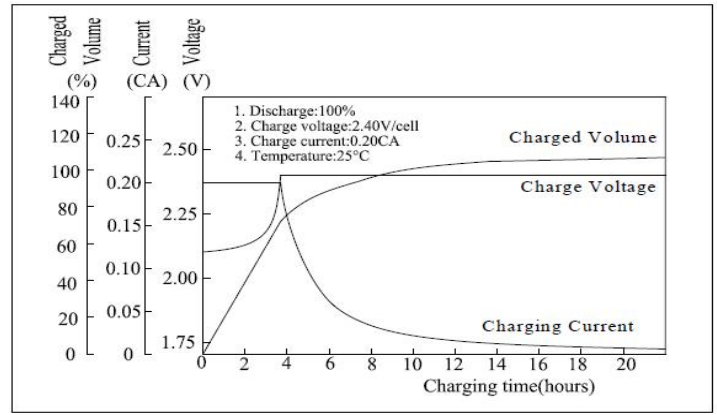
**Constant Current Discharge at 25°C(77°F)**

F.V/Time	5min	10min	15min	30min	1h	2h	3h	4h	5h	6h	10h	20h
1.80V/cell	3.42	2.52	2.02	1.26	0.77	0.49	0.31	0.25	0.21	0.19	0.11	0.06
1.75V/cell	3.83	2.70	2.14	1.29	0.78	0.50	0.31	0.26	0.21	0.19	0.12	0.07
1.70V/cell	4.23	2.89	2.26	1.32	0.79	0.51	0.31	0.26	0.21	0.20	0.12	0.07
1.67V/cell	4.48	2.98	2.31	1.33	0.80	0.51	0.32	0.26	0.21	0.20	0.12	0.07
1.60V/cell	4.78	3.20	2.46	1.35	0.80	0.51	0.32	0.26	0.21	0.20	0.12	0.07

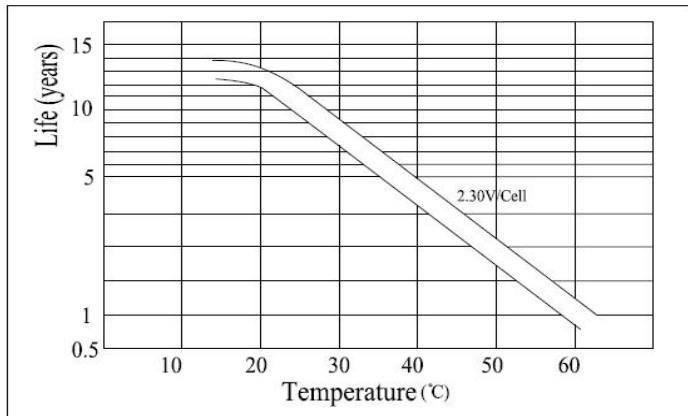
**Discharge Characteristics**



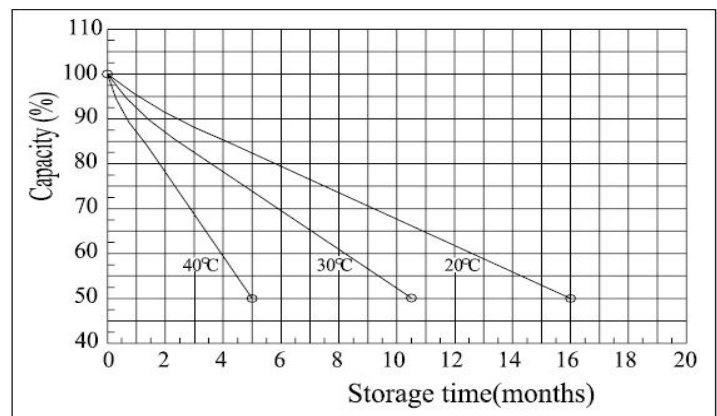
**Float Charging Characteristics**



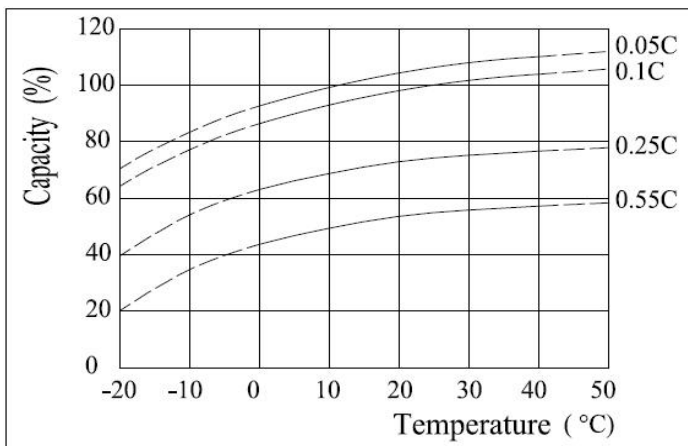
**Floating Life on Temperature**



**Self Discharge Characteristics ( 25°C(77°F) )**



**Temperature Effects in Relation to Battery Capacity**



**Cycle Life Relation to Depth of Discharge**

