

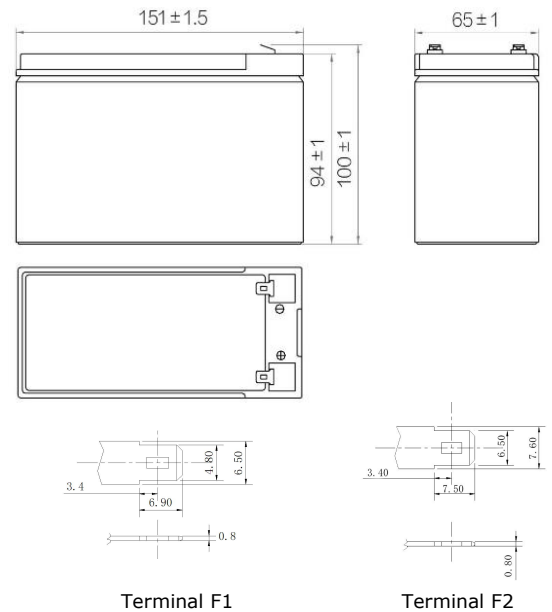


Specifications

Nominal Voltage	12V	
Nominal Capacity(20hr)	7AH	
Dimension	Length	151±2mm(5.94inch)
	Width	65±2mm(2.56inch)
	Height	94±2mm(3.7inch)
	Total Height	98±2mm(3.86inch)
Approx Weight	Approx. 2.05kg(+/-3%)	
Terminal Type	F1/F2	
container Material	ABS(UL-94HB)	
Internal Resistance	Approx.18mΩ	
Rated Capacity	7.0AH	(20hr, 1.75V/cell,25°C/77°F)
	6.6AH	(10hr, 1.75V/cell,25°C/77°F)
	6.0AH	(5hr, 1.75V/cell,25°C/77°F)
	5.6AH	(3hr, 1.75V/cell,25°C/77°F)
	3.9AH	(1hr, 1.75V/cell,25°C/77°F)
Max. Discharge Current	105A(5S)	
Nominal Operating Temp. Range	25±3°C (77±5°F)	
Cycle Use	Charge Current Less Than 0.25CA	
	14.1V~14.7V@25°C(77°F)Temp. Coefficient -30mV/°C	
Floating Use	13.5V~13.8V@25°C(77°F)Temp. Coefficient -20mV/°C	
Capacity affected by Temperature	40°C	103%
	25°C	100%
	0°C	86%
	-15°C	65%
Self-discharge	3 month	Remaining capacity: 91%
	6 month	Remaining capacity:82%
	12month	Remaining capacity:65%



Dimensions



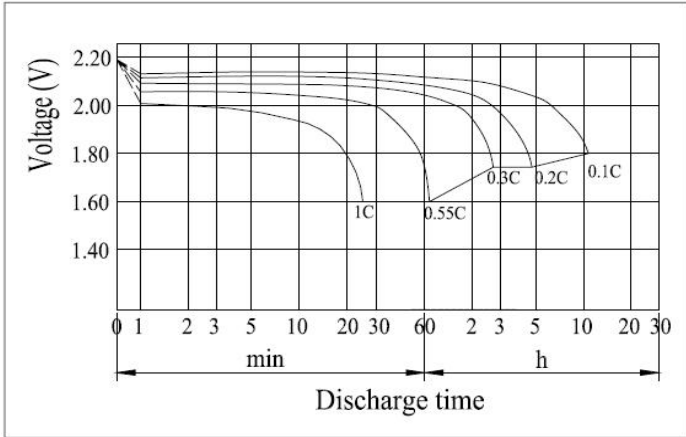
Constant Power Discharge at 25°C(77°F)

F.V/Time	5min	10min	15min	30min	1h	2h	3h	4h	5h	6h	10h	20h
1.80V/cell	40.8	27.0	21.8	14.5	8.41	4.61	3.33	2.73	2.66	1.91	1.25	0.64
1.75V/cell	42.8	28.9	23.1	14.8	8.54	4.69	3.36	2.75	2.68	1.96	1.27	0.66
1.70V/cell	45.5	30.0	24.2	15.2	8.70	4.75	3.38	2.76	2.68	1.99	1.28	0.69
1.67V/cell	46.5	31.0	24.9	15.3	8.72	4.76	3.38	2.76	2.70	2.03	1.29	0.70
1.60V/cell	47.8	31.2	25.2	15.6	8.75	4.80	3.39	2.78	2.71	2.06	1.31	0.73

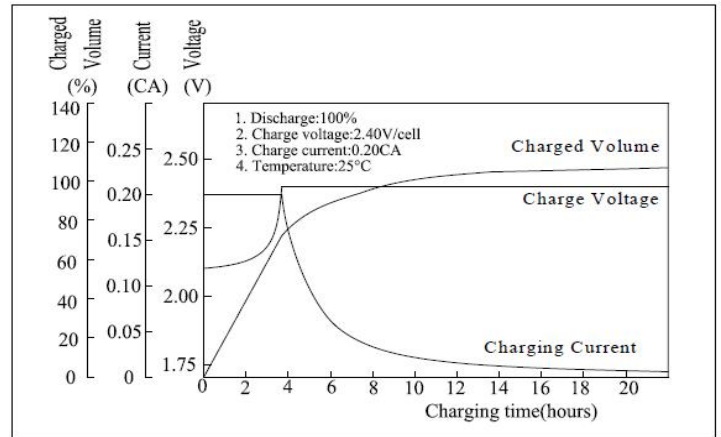
Constant Current Discharge at 25°C(77°F)

F.V/Time	5min	10min	15min	30min	1h	2h	3h	4h	5h	6h	10h	20h
1.80V/cell	20.2	13.2	10.8	7.05	3.82	2.20	1.70	1.37	1.09	0.98	0.63	0.34
1.75V/cell	21.9	14.4	11.4	7.23	4.00	2.29	1.73	1.41	1.15	1.00	0.65	0.34
1.70V/cell	23.5	15.5	12.0	7.41	4.13	2.34	1.77	1.43	1.18	1.02	0.66	0.35
1.67V/cell	25.1	16.7	12.6	7.60	4.22	2.37	1.85	1.49	1.21	1.05	0.67	0.35
1.60V/cell	26.7	17.8	13.1	7.78	4.26	2.48	1.91	1.53	1.26	1.07	0.68	0.36

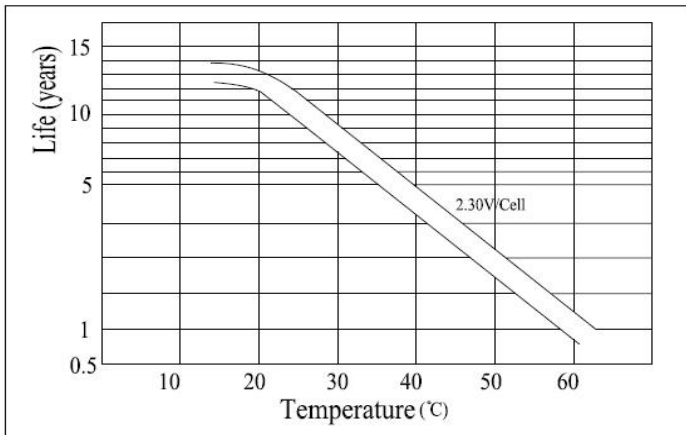
Discharge Characteristics



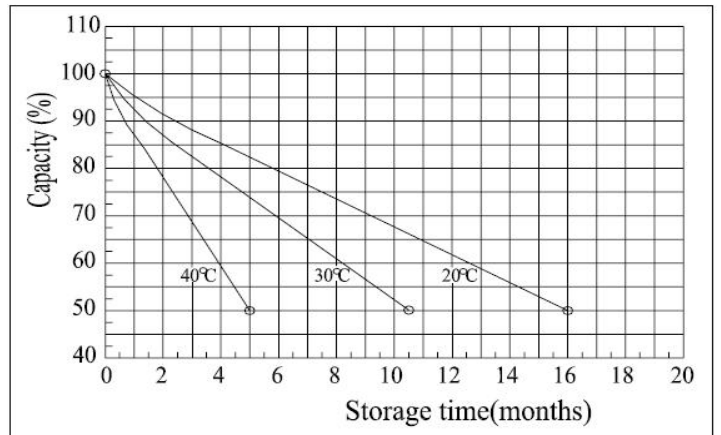
Float Charging Characteristics



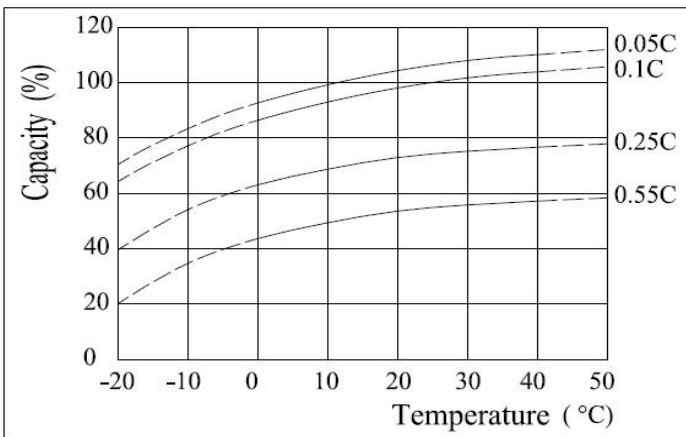
Floating Life on Temperature



Self Discharge Characteristics (25°C(77°F))



Temperature Effects in Relation to Battery Capacity



Cycle Life Relation to Depth of Discharge

