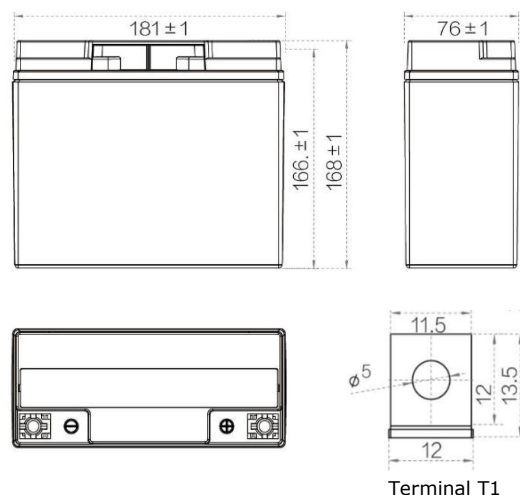


Specifications

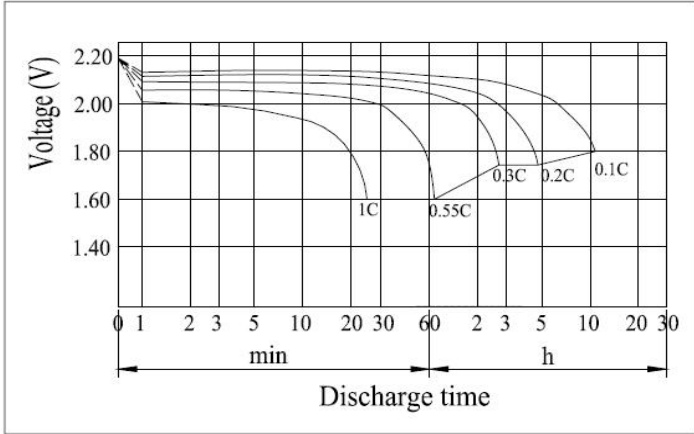
Nominal Voltage	12V	
Nominal Capacity(20hr)	18AH	
Dimension	Length	181±2mm(5.94inch)
	Width	77±2mm(3.03inch)
	Height	167±2mm(6.57inch)
	Total Height	167±2mm(6.57inch)
Approx Weight	Approx. 5.25kg(+3%)	
Terminal Type	T1	
container Material	ABS(UL-94HB)	
Internal Resistance	Approx.15.0mΩ	
Rated Capacity	18.0AH	(20hr, 1.75V/cell,25°C/77°F)
	17.4AH	(10hr, 1.75V/cell,25°C/77°F)
	17.0AH	(5hr, 1.75V/cell,25°C/77°F)
	15.5AH	(3hr, 1.75V/cell,25°C/77°F)
	11.7AH	(1hr, 1.75V/cell,25°C/77°F)
Max. Discharge Current	350A(5S)	
Nominal Operating Temp. Range	25±3°C (77±5°F)	
Cycle Use	Charge Current Less Than 0.25CA	
	14.1V~14.7V@25°C(77°F)Temp. Coefficient -30mV/°C	
Floating Use	13.5V~13.8V@25°C(77°F)Temp. Coefficient -20mV/°C	
Capacity affected by Temperature	40°C	103%
	25°C	100%
	0°C	86%
	-15°C	65%
Self-discharge	3 month	Remaining capacity: 91%
	6 month	Remaining capacity:82%
	12month	Remaining capacity:65%


Dimensions


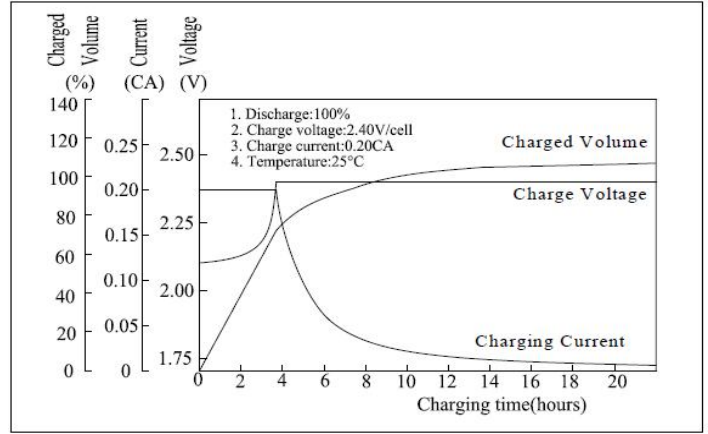
Constant Power Discharge at 25°C(77°F)												
F.V/Time	5min	10min	15min	30min	1h	2h	3h	4h	5h	6h	10h	20h
1.80V/cell	114.20	79.24	65.10	39.01	22.36	12.00	9.90	7.57	6.55	5.23	3.33	1.72
1.75V/cell	116.30	80.73	66.32	39.75	22.78	12.22	10.09	7.71	6.67	5.33	3.39	1.76
1.70V/cell	119.80	83.15	68.31	40.94	23.46	12.59	10.39	7.94	6.87	5.48	3.50	1.81
1.67V/cell	124.40	86.38	70.96	42.53	24.37	13.08	10.80	8.25	7.13	5.70	3.63	1.88
1.60V/cell	131.40	91.22	74.94	44.91	25.74	13.81	11.40	8.71	7.53	6.02	3.84	1.98

Constant Current Discharge at 25°C(77°F)												
F.V/Time	5min	10min	15min	30min	1h	2h	3h	4h	5h	6h	10h	20h
1.80V/cell	58.54	40.64	33.38	20.01	11.47	6.15	5.08	3.88	3.36	2.68	1.71	0.90
1.75V/cell	59.64	41.40	34.01	20.38	11.68	6.27	5.17	3.95	3.42	2.73	1.74	0.90
1.70V/cell	61.43	42.64	35.03	20.99	12.03	6.46	5.33	4.07	3.52	2.81	1.79	0.93
1.67V/cell	63.82	44.30	36.39	21.81	12.50	6.71	5.54	4.23	3.66	2.92	1.86	0.96
1.60V/cell	67.40	46.78	38.43	23.03	13.20	7.08	5.85	4.47	3.86	3.09	1.97	1.01

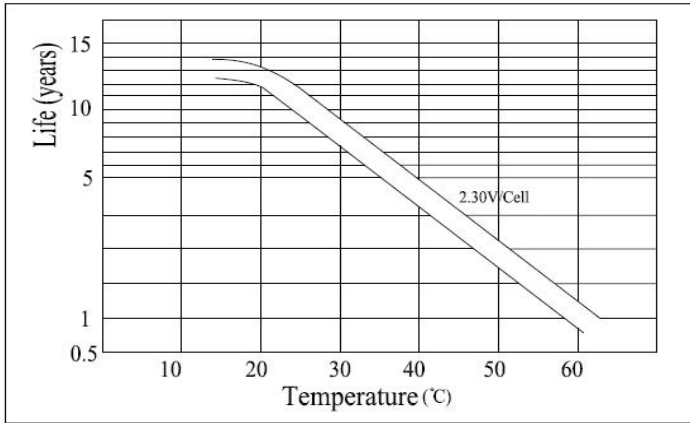
Discharge Characteristics



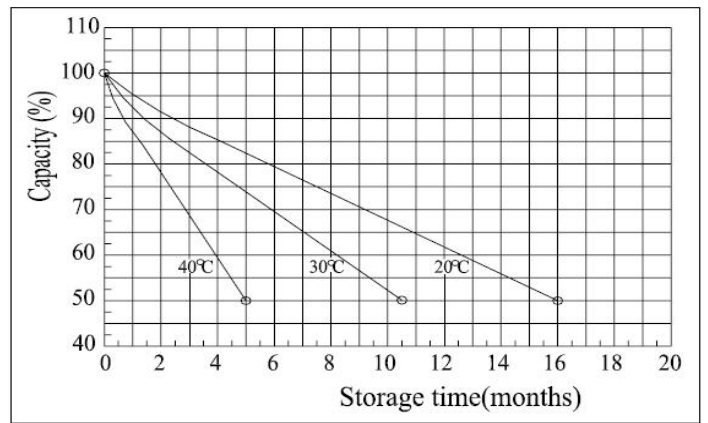
Float Charging Characteristics



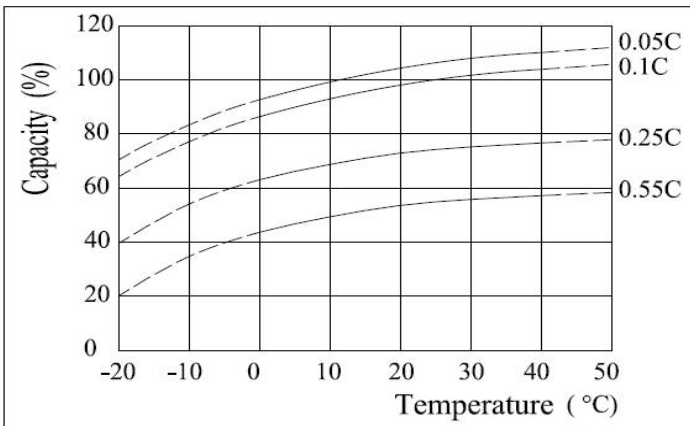
Floating Life on Temperature



Self Discharge Characteristics (25°C(77°F))



Temperature Effects in Relation to Battery Capacity



Cycle Life Relation to Depth of Discharge

