

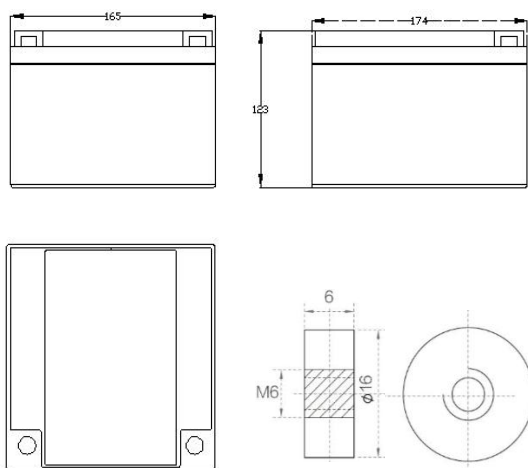


Specifications

| | | |
|----------------------------------|--|------------------------------|
| Nominal Voltage | 12V | |
| Nominal Capacity(20hr) | 26AH | |
| Dimension | Length | 175±2mm(6.89inch) |
| | Width | 166±2mm(6.54inch) |
| | Height | 125±2mm(4.92inch) |
| | Total Height | 125±2mm(4.92inch) |
| Approx Weight | Approx. 7.25kg(+3%) | |
| Terminal Type | T3/B2 | |
| container Material | ABS(UL-94HB) | |
| Internal Resistance | Approx.11mΩ | |
| Rated Capacity | 26.0AH | (20hr, 1.75V/cell,25°C/77°F) |
| | 24.8AH | (10hr, 1.75V/cell,25°C/77°F) |
| | 23.2AH | (5hr, 1.75V/cell,25°C/77°F) |
| | 20.6AH | (3hr, 1.75V/cell,25°C/77°F) |
| | 15.5AH | (1hr, 1.75V/cell,25°C/77°F) |
| Max. Discharge Current | 390A(5S) | |
| Nominal Operating Temp. Range | 25±3°C (77±5°F) | |
| Cycle Use | Charge Current Less Than 0.25CA | |
| | 14.1V~14.7V@25°C(77°F)Temp. Coefficient -30mV/°C | |
| Floating Use | 13.5V~13.8V@25°C(77°F)Temp. Coefficient -20mV/°C | |
| Capacity affected by Temperature | 40°C | 103% |
| | 25°C | 100% |
| | 0°C | 86% |
| | -15°C | 65% |
| Self-discharge | 3 month | Remaining capacity: 91% |
| | 6 month | Remaining capacity:82% |
| | 12month | Remaining capacity:65% |



Dimensions

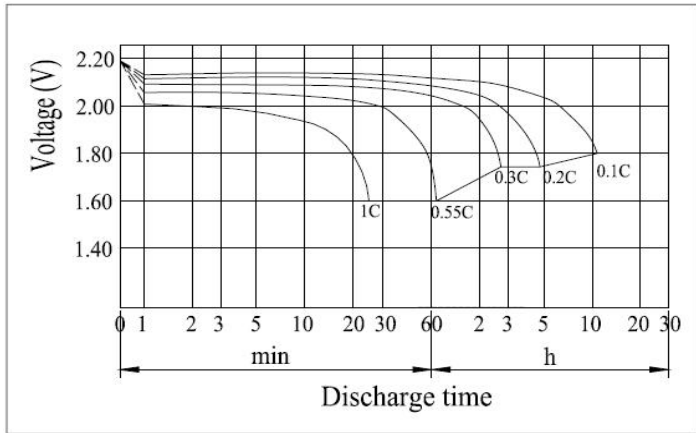


Terminal M6

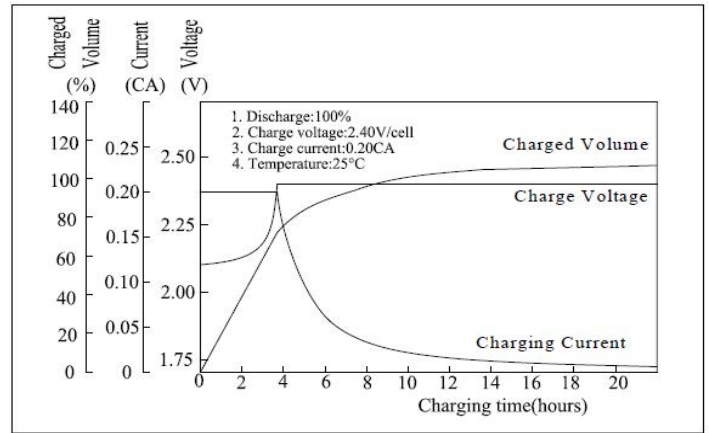
| Constant Power Discharge at 25°C(77°F) | | | | | | | | | | | | |
|--|-------|-------|-------|-------|------|-------|-------|-------|------|------|------|------|
| F.V/Time | 5min | 10min | 15min | 30min | 1h | 2h | 3h | 4h | 5h | 6h | 10h | 20h |
| 1.80V/Cell | 168.2 | 99.3 | 78.0 | 50.9 | 29.7 | 17.16 | 13.18 | 10.82 | 8.87 | 7.23 | 4.74 | 2.47 |
| 1.75V/Cell | 171.3 | 101.1 | 79.5 | 51.8 | 30.2 | 17.49 | 13.43 | 11.02 | 9.03 | 7.37 | 4.83 | 2.51 |
| 1.70V/Cell | 186.8 | 107.2 | 84.3 | 53.9 | 30.8 | 17.79 | 13.66 | 11.22 | 9.19 | 7.50 | 4.91 | 2.55 |
| 1.67V/Cell | 205.6 | 116.3 | 91.4 | 56.9 | 31.1 | 17.98 | 13.81 | 11.34 | 9.29 | 7.57 | 4.97 | 2.58 |
| 1.60V/Cell | 222.8 | 122.4 | 96.2 | 59.3 | 31.4 | 18.18 | 13.96 | 11.47 | 9.40 | 7.65 | 5.02 | 2.61 |

| Constant Current Discharge at 25°C(77°F) | | | | | | | | | | | | |
|--|-------|-------|-------|-------|-------|------|------|------|------|------|------|------|
| F.V/Time | 5min | 10min | 15min | 30min | 1h | 2h | 3h | 4h | 5h | 6h | 10h | 20h |
| 1.80V/Cell | 86.3 | 50.9 | 40.0 | 26.1 | 15.23 | 8.80 | 6.76 | 5.55 | 4.55 | 3.71 | 2.43 | 1.26 |
| 1.75V/Cell | 87.9 | 51.9 | 40.8 | 26.6 | 15.51 | 8.97 | 6.88 | 5.65 | 4.63 | 3.78 | 2.48 | 1.30 |
| 1.70V/Cell | 95.8 | 55.0 | 43.2 | 27.6 | 15.78 | 9.12 | 7.01 | 5.75 | 4.71 | 3.84 | 2.52 | 1.31 |
| 1.67V/Cell | 105.4 | 59.7 | 46.9 | 29.2 | 15.95 | 9.22 | 7.08 | 5.81 | 4.76 | 3.88 | 2.55 | 1.32 |
| 1.60V/Cell | 114.2 | 62.8 | 49.3 | 30.4 | 16.13 | 9.32 | 7.16 | 5.88 | 4.82 | 3.93 | 2.58 | 1.34 |

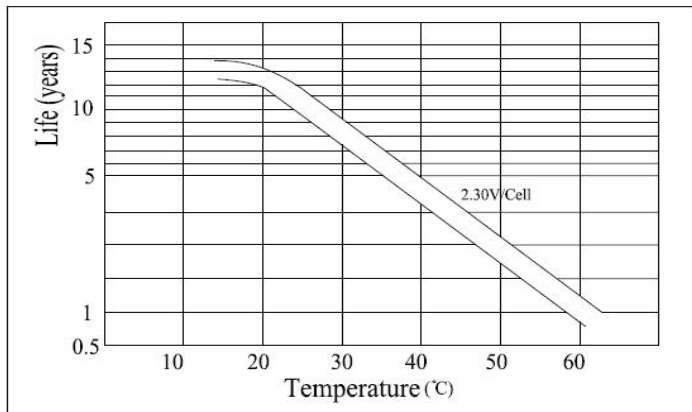
Discharge Characteristics



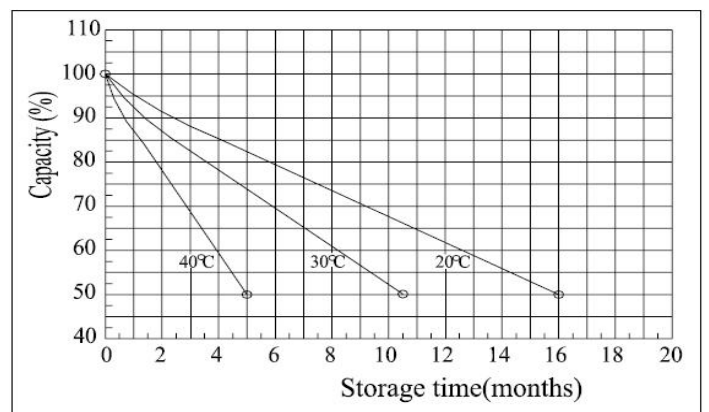
Float Charging Characteristics



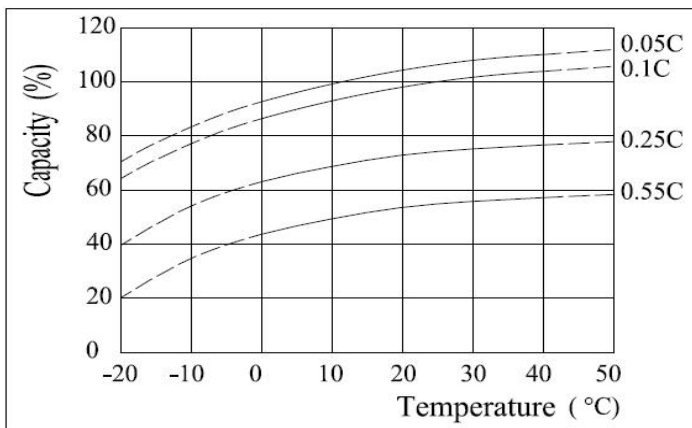
Floating Life on Temperature



Self Discharge Characteristics (25°C(77°F))



Temperature Effects in Relation to Battery Capacity



Cycle Life Relation to Depth of Discharge

