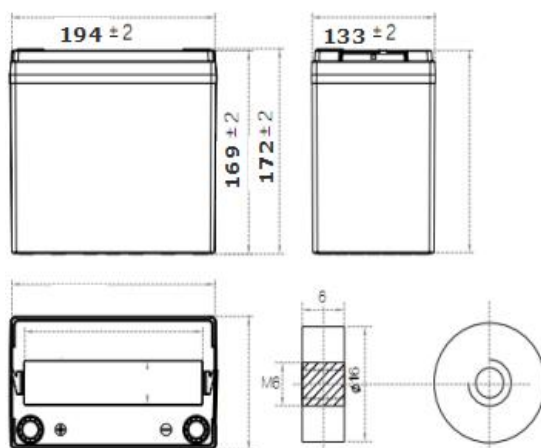


Specifications

Nominal Voltage	12V	
Nominal Capacity(10hr)	33AH	
Dimension	Length	196±2mm(7.72inch)
	Width	133±2mm(5.24inch)
	Height	169±2mm(6.65inch)
	Total Height	170±2mm(6.69inch)
Approx Weight	Approx. 10.4kg(+/-3%)	
Terminal Type	M6	
container Material	ABS(UL-94HB)	
Internal Resistance	Approx.10.0mΩ	
Rated Capacity	34.0AH	(20hr, 1.70V/cell,25°C/77°F)
	33.0AH	(10hr, 1.75V/cell,25°C/77°F)
	30.0AH	(5hr, 1.75V/cell,25°C/77°F)
	23.0AH	(3hr, 1.70V/cell,25°C/77°F)
	19.0AH	(1hr, 1.60V/cell,25°C/77°F)
Max. Discharge Current	330A(5S)	
Nominal Operating Temp. Range	25±3°C (77±5°F)	
Cycle Use	Charge Current Less Than 0.25CA	
	14.1V~14.7V@25°C(77°F)Temp. Coefficient -30mV/°C	
Floating Use	13.5V~13.8V@25°C(77°F)Temp. Coefficient -20mV/°C	
Capacity affected by Temperature	40°C	103%
	25°C	100%
	0°C	86%
	-15°C	65%
Self-discharge	3 month	Remaining capacity: 91%
	6 month	Remaining capacity:82%
	12month	Remaining capacity:65%


Dimensions


Terminal M6

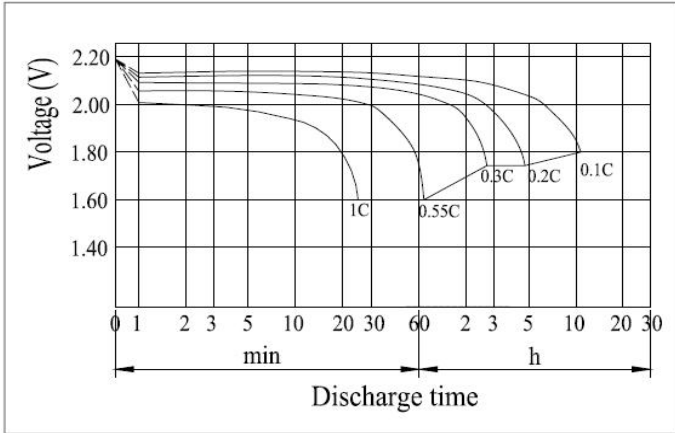
Constant Power Discharge at 25°C(77°F)

F.V/Time	5min	10min	15min	30min	1h	2h	3h	4h	5h	6h	10h	20h
1.80V/cell	170	150	110	69.2	36.8	21.5	17.3	13.6	11.1	9.5	6.49	3.27
1.75V/cell	173	152	111	69.7	38.6	22.0	17.4	13.7	11.2	9.5	6.50	3.28
1.70V/cell	185	155	113	70.8	39.8	22.6	17.7	13.8	11.3	9.6	6.50	3.29
1.67V/cell	188	157	119	71.4	40.6	23.1	17.8	13.8	11.4	9.7	6.51	3.30
1.60V/cell	190	168	124	72.0	41.1	23.6	17.9	13.9	11.5	10	6.52	3.30

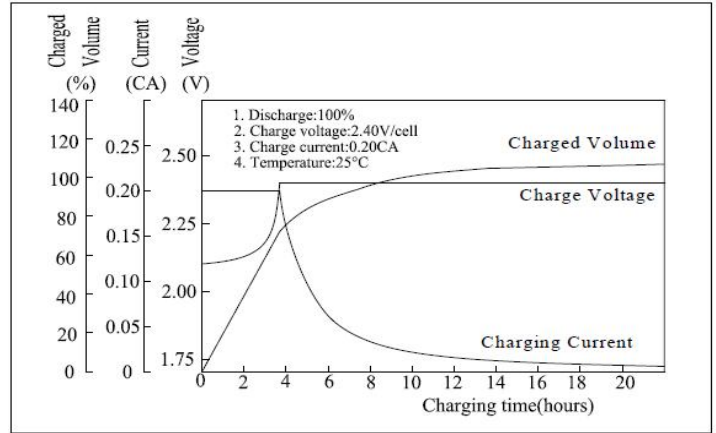
Constant Current Discharge at 25°C(77°F)

F.V/Time	5min	10min	15min	30min	1h	2h	3h	4h	5h	6h	10h	20h
1.80V/cell	86.5	76.3	55.9	35.1	18.7	10.9	8.8	6.91	5.63	4.80	3.29	1.66
1.75V/cell	87.7	77.1	56.4	35.4	19.6	11.2	8.8	6.96	5.67	4.82	3.30	1.67
1.70V/cell	94.0	78.8	57.5	35.9	20.2	11.4	9.0	7.02	5.73	4.87	3.30	1.67
1.67V/cell	95	79.9	60.3	36.2	20.6	11.7	9.1	7.03	5.78	4.94	3.31	1.67
1.60V/cell	97	85.4	63.0	36.5	20.8	12.0	9.1	7.04	5.83	4.98	3.31	1.68

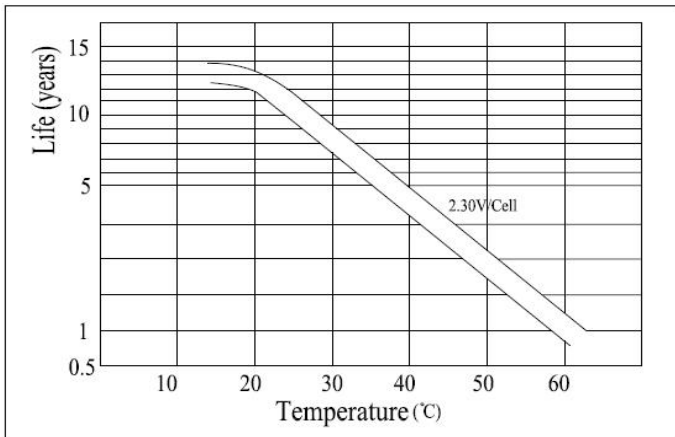
Discharge Characteristics



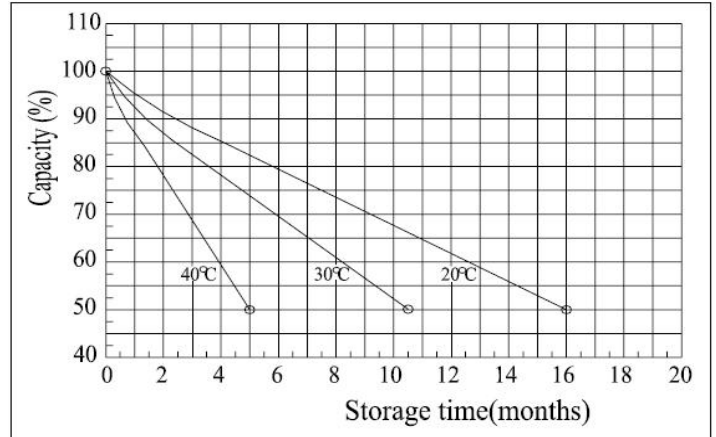
Float Charging Characteristics



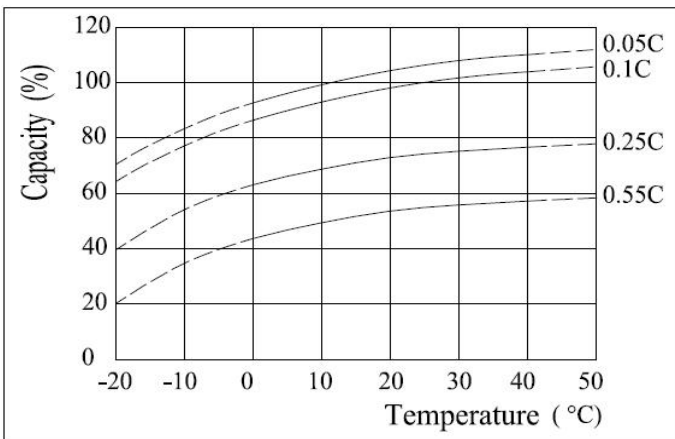
Floating Life on Temperature



Self Discharge Characteristics (25°C(77°F))



Temperature Effects in Relation to Battery Capacity



Cycle Life Relation to Depth of Discharge

