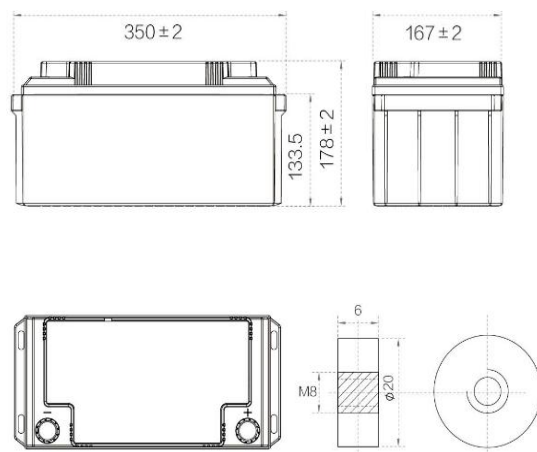


Specifications

Nominal Voltage	12V	
Nominal Capacity(10hr)	65AH	
Dimension	Length	350±2mm(13.78inch)
	Width	167±2mm(6.57inch)
	Height	174±2mm(6.85inch)
	Total Height	174±2mm(6.85inch)
Approx Weight	Approx. 20.0kg(+5%)	
Terminal Type	B5	
container Material	ABS(UL-94HB)	
Internal Resistance	Approx.6.0mΩ	
Rated Capacity	68.0AH	(20hr, 1.75V/cell,25°C/77°F)
	65.0AH	(10hr, 1.75V/cell,25°C/77°F)
	55.0AH	(5hr, 1.75V/cell,25°C/77°F)
	50.0AH	(3hr, 1.75V/cell,25°C/77°F)
	30.0AH	(1hr, 1.75V/cell,25°C/77°F)
Max. Discharge Current	500A(5S)	
Nominal Operating Temp. Range	25±3°C (77±5°F)	
Cycle Use	Charge Current Less Than 0.25CA	
	14.1V~14.7V@25°C(77°F)Temp. Coefficient -30mV/°C	
Floating Use	13.5V~13.8V@25°C(77°F)Temp. Coefficient -20mV/°C	
Capacity affected by Temperature	40°C	103%
	25°C	100%
	0°C	86%
	-15°C	65%
Self-discharge	3 month	Remaining capacity: 91%
	6 month	Remaining capacity:82%
	12month	Remaining capacity:65%



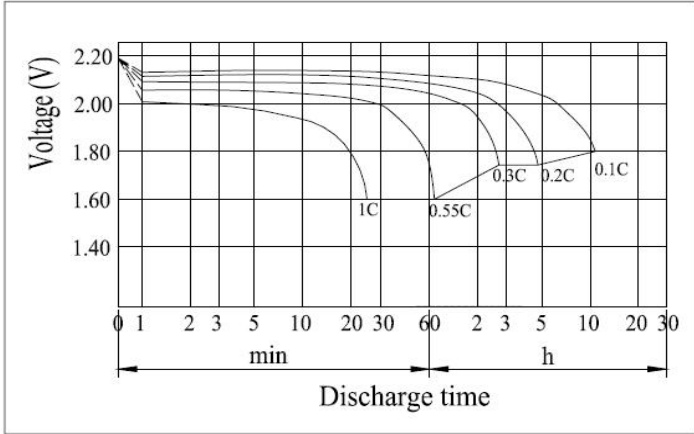
Dimensions



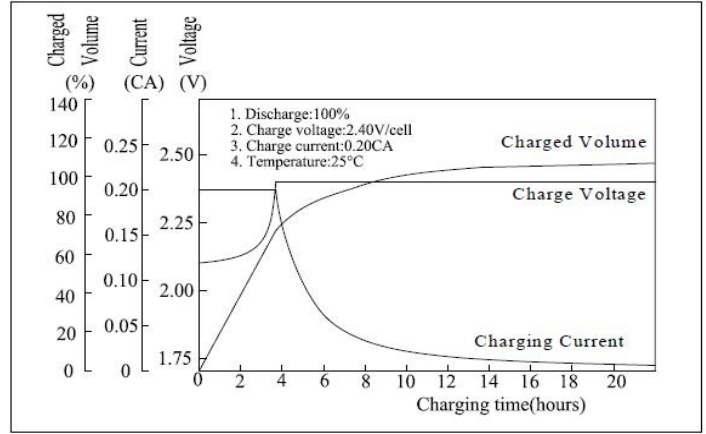
Constant Power Discharge at 25°C(77°F)												
F.V/Time	5min	10min	15min	30min	1h	2h	3h	4h	5h	6h	10h	20h
1.80V/cell	231	193	160	115	78.3	43.6	31.8	25.6	20.5	18.7	12.7	7.08
1.75V/cell	262	216	171	119	79.8	45.8	32.5	25.9	21.0	18.9	12.8	7.12
1.70V/cell	292	233	184	122	81.5	47.3	33.0	26.3	21.2	19.0	12.9	7.14
1.67V/cell	312	239	188	124	83.2	48.6	33.3	26.4	21.4	19.2	12.9	7.16
1.60V/cell	317	242	190	125	84.3	48.8	33.8	26.6	22.1	19.4	13.0	7.16

Constant Current Discharge at 25°C(77°F)												
F.V/Time	5min	10min	15min	30min	1h	2h	3h	4h	5h	6h	10h	20h
1.80V/cell	168	136	104.1	62.6	39.6	21.3	15.9	12.7	10.5	9.41	6.50	3.37
1.75V/cell	169	137	105.7	63.6	40.3	21.9	16.0	13.0	10.7	9.44	6.52	3.39
1.70V/cell	172	138	107.2	64.6	40.8	22.4	16.3	13.2	10.9	9.53	6.52	3.40
1.67V/cell	184	139	109.3	65.6	41.3	23.0	16.5	13.2	11.1	9.68	6.52	3.40
1.60V/cell	196	140	110.4	66.6	42.8	23.5	17.0	13.7	11.2	9.74	6.53	3.41

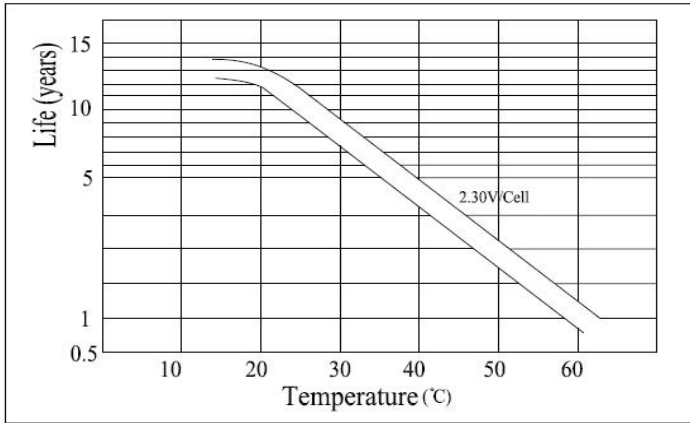
Discharge Characteristics



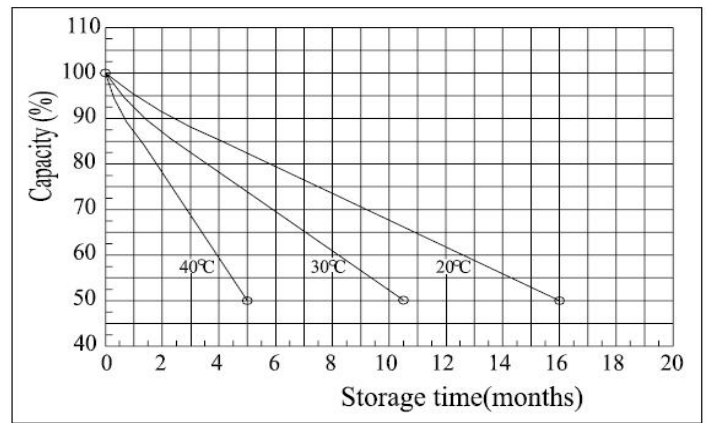
Float Charging Characteristics



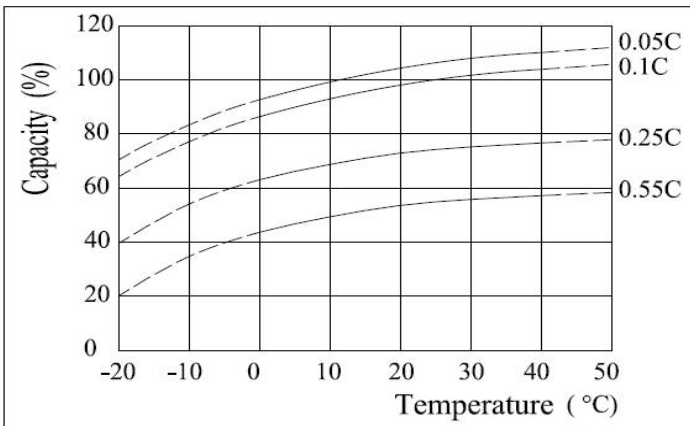
Floating Life on Temperature



Self Discharge Characteristics (25°C(77°F))



Temperature Effects in Relation to Battery Capacity



Cycle Life Relation to Depth of Discharge

