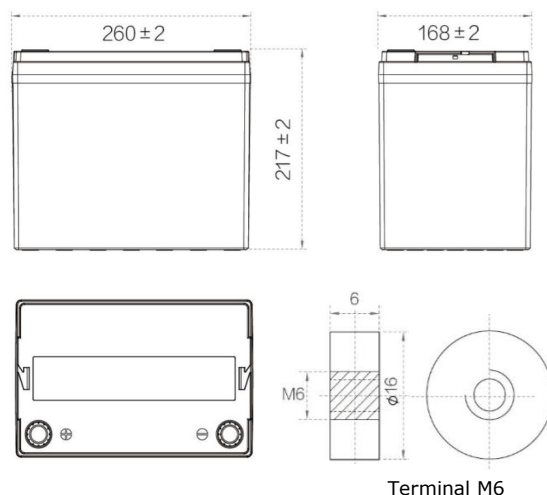


Specifications

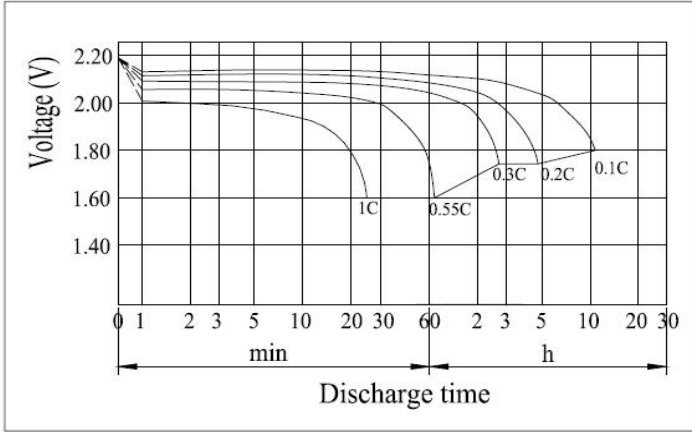
Nominal Voltage	12V	
Nominal Capacity(10hr)	70AH	
Dimension	Length	260±2mm(10.24inch)
	Width	167±2mm(6.57inch)
	Height	213±2mm(8.39inch)
	Total Height	217±2mm(8.54inch)
Approx Weight	Approx. 20.6kg(+3%)	
Terminal Type	M6	
container Material	ABS(UL-94HB)	
Internal Resistance	Approx.6.6mΩ	
Rated Capacity	70.5AH	(20hr, 1.75V/cell,25°C/77°F)
	70.0AH	(10hr, 1.75V/cell,25°C/77°F)
	60.0AH	(5hr, 1.75V/cell,25°C/77°F)
	55.0AH	(3hr, 1.75V/cell,25°C/77°F)
	38.5AH	(1hr, 1.75V/cell,25°C/77°F)
Max. Discharge Current	900A(5S)	
Nominal Operating Temp. Range	25±3°C (77±5°F)	
Cycle Use	Charge Current Less Than 0.25CA	
	14.1V~14.7V@25°C(77°F)Temp. Coefficient -30mV/°C	
Floating Use	13.5V~13.8V@25°C(77°F)Temp. Coefficient -20mV/°C	
Capacity affected by Temperature	40°C	103%
	25°C	100%
	0°C	86%
	-15°C	65%
Self-discharge	3 month	Remaining capacity: 91%
	6 month	Remaining capacity:82%
	12month	Remaining capacity:65%


Dimensions


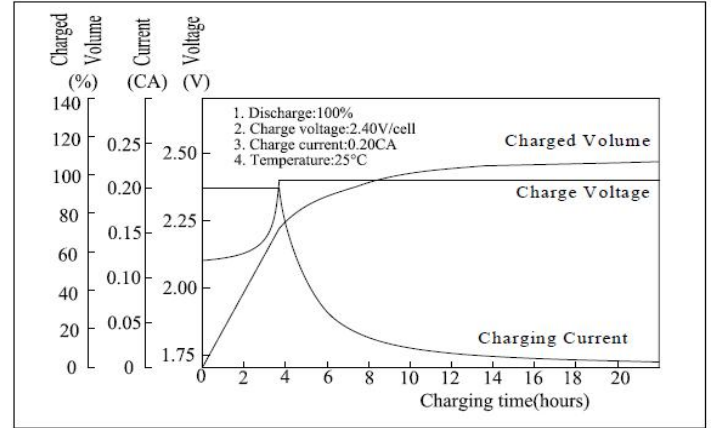
Constant Power Discharge at 25°C(77°F)												
F.V/Time	5min	10min	15min	30min	1h	2h	3h	4h	5h	6h	10h	20h
1.80V/cell	234	201	179	132	76.3	46.4	32.4	24.7	20.2	17.6	12.5	7.48
1.75V/cell	264	229	196	136	77.4	47.5	33.0	25.0	20.7	17.9	12.7	7.50
1.70V/cell	295	247	211	139	79.6	48.5	33.7	25.8	21.2	18.1	12.8	7.52
1.67V/cell	314	253	215	141	81.8	49.1	34.3	26.3	21.6	18.4	12.9	7.53
1.60V/cell	320	257	217	142	83.7	50.1	34.5	26.8	22.1	18.5	13.0	7.54

Constant Current Discharge at 25°C(77°F)												
F.V/Time	5min	10min	15min	30min	1h	2h	3h	4h	5h	6h	10h	20h
1.80V/cell	160	120	96	69.8	39.8	24.9	18.5	14.2	11.8	10.6	6.98	3.52
1.75V/cell	178	138	102	70.9	41.3	25.6	18.7	14.3	12.0	10.6	7.02	3.58
1.70V/cell	183	141	110	72.5	42.0	26.2	19.0	14.3	12.3	10.7	7.07	3.59
1.67V/cell	192	143	111	73.8	42.9	26.8	19.1	14.4	12.5	10.9	7.16	3.59
1.60V/cell	194	144	113	75.0	43.5	27.5	19.3	14.6	12.6	10.9	7.26	3.60

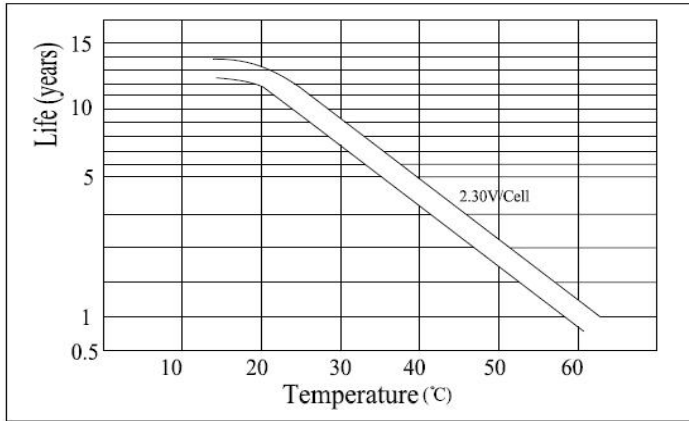
Discharge Characteristics



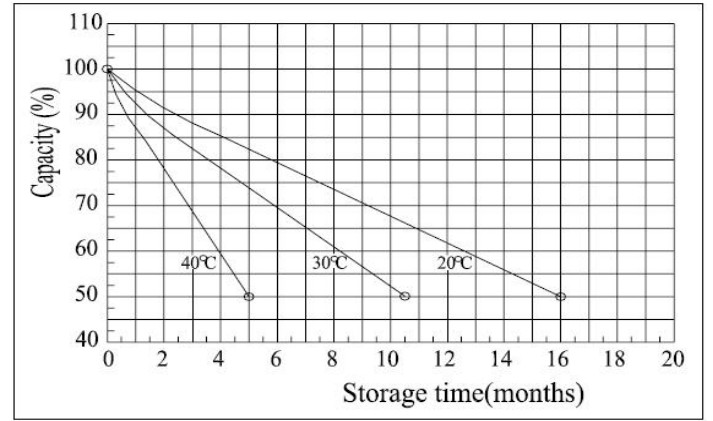
Float Charging Characteristics



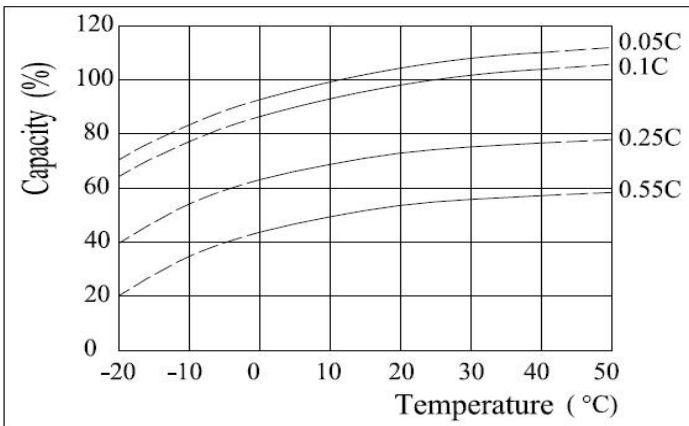
Floating Life on Temperature



Self Discharge Characteristics (25°C(77°F))



Temperature Effects in Relation to Battery Capacity



Cycle Life Relation to Depth of Discharge

