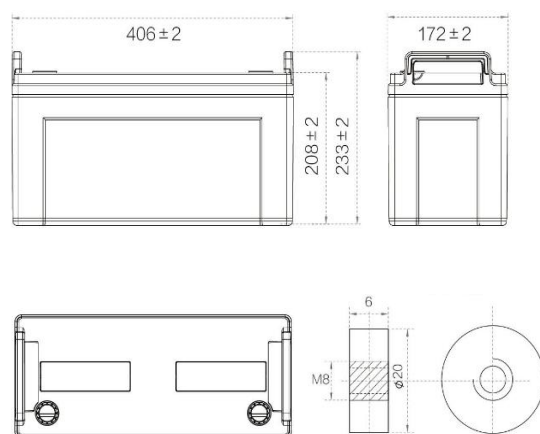


### Specifications

Nominal Voltage	12V	
Nominal Capacity(10hr)	120AH	
Dimension	Length	406±2mm(15.98inch)
	Width	173±2mm(6.81inch)
	Height	236±2mm(9.29inch)
	Total Height	236±2mm(9.29inch)
Approx Weight	Approx. 36.0kg(+/-3%)	
Terminal Type	T14/B5	
container Material	ABS(UL-94HB)	
Internal Resistance	Approx.4mΩ	
Rated Capacity	130.0AH	(20hr, 1.75V/cell,25°C/77°F)
	120.0AH	(10hr, 1.75V/cell,25°C/77°F)
	105.0AH	(5hr, 1.75V/cell,25°C/77°F)
	90.0AH	(3hr, 1.75V/cell,25°C/77°F)
	68.0AH	(1hr, 1.75V/cell,25°C/77°F)
Max. Discharge Current	800A(5S)	
Nominal Operating Temp. Range	25±3°C (77±5°F)	
Cycle Use	Charge Current Less Than 0.25CA	
	14.1V~14.7V@25°C(77°F)Temp. Coefficient -30mV/°C	
Floating Use	13.5V~13.8V@25°C(77°F)Temp. Coefficient -20mV/°C	
Capacity affected by Temperature	40°C	103%
	25°C	100%
	0°C	86%
	-15°C	65%
Self-discharge	3 month	Remaining capacity: 91%
	6 month	Remaining capacity:82%
	12month	Remaining capacity:65%



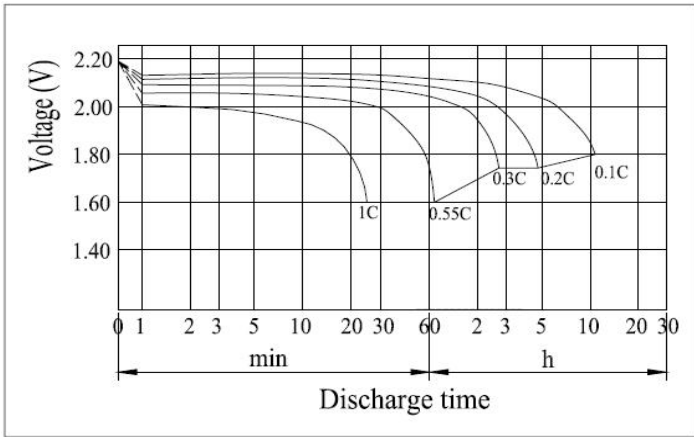
### Dimensions



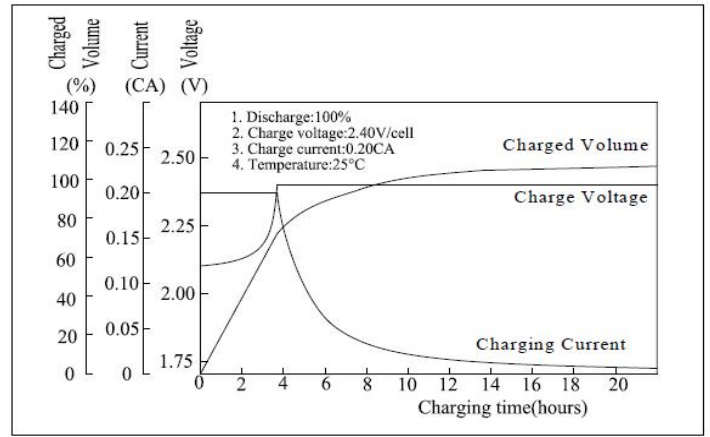
Constant Power Discharge at 25°C(77°F)												
F.V/Time	5min	10min	15min	30min	1h	2h	3h	4h	5h	6h	10h	20h
1.80V/cell	492	404	350	216	128	77.1	51.5	43.6	34.3	32.4	22.1	12.8
1.75V/cell	508	436	362	222	131	79.1	52.2	44.4	35.0	32.9	22.4	13.0
1.70V/cell	557	467	382	223	136	80.6	53.0	44.9	35.1	33.3	22.6	13.0
1.67V/cell	595	480	385	231	138	81.8	54.2	45.9	36.1	34.8	22.8	13.0
1.60V/cell	606	486	387	236	140	84.0	54.9	46.9	37.2	35.1	23.0	13.0

Constant Current Discharge at 25°C(77°F)												
F.V/Time	5min	10min	15min	30min	1h	2h	3h	4h	5h	6h	10h	20h
1.80V/cell	337	225	200	133	75.8	47.0	30.3	23.2	20.0	16.9	12.0	6.42
1.75V/cell	345	247	206	134	78.1	47.5	31.1	23.6	20.6	17.1	12.1	6.43
1.70V/cell	353	264	209	135	79.3	48.0	31.9	23.9	21.1	17.5	12.1	6.45
1.67V/cell	362	271	212	136	80.5	48.5	32.6	24.2	21.6	17.8	12.2	6.48
1.60V/cell	364	275	215	137	81.9	49.0	33.3	24.4	22.4	18.2	12.2	6.53

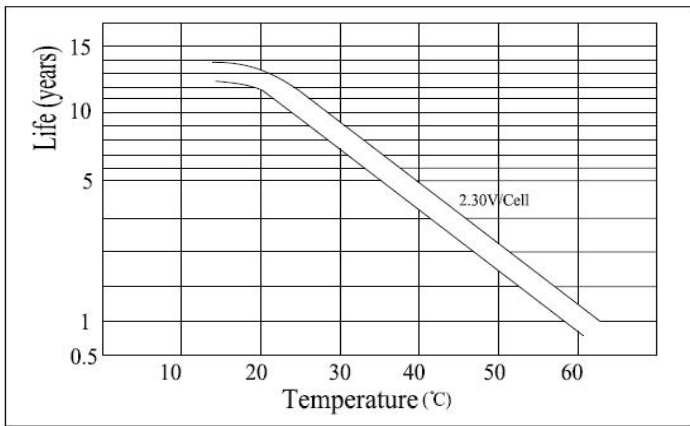
#### Discharge Characteristics



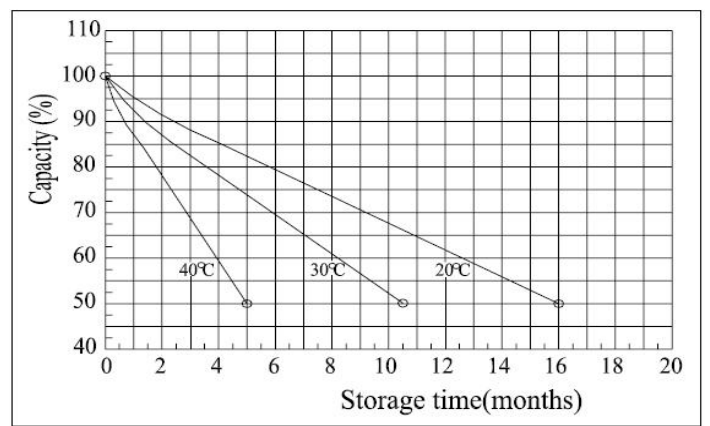
#### Float Charging Characteristics



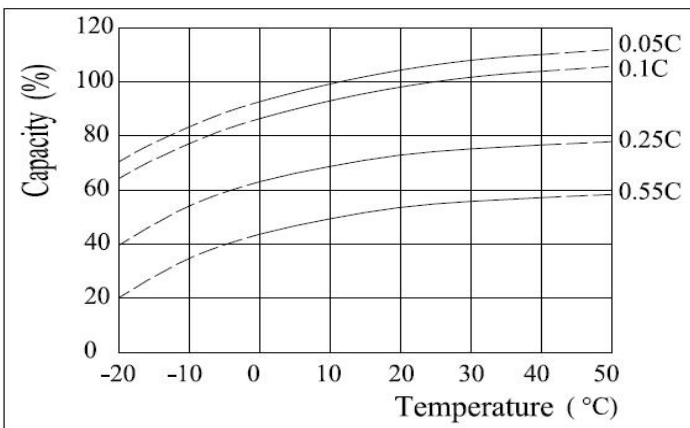
#### Floating Life on Temperature



#### Self Discharge Characteristics ( 25°C(77°F) )



#### Temperature Effects in Relation to Battery Capacity



#### Cycle Life Relation to Depth of Discharge

